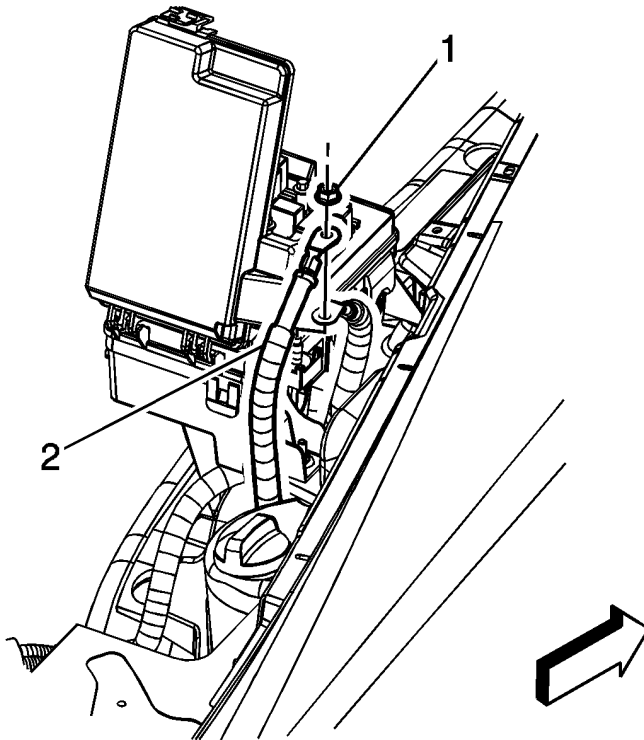


Document ID# 1705816
2006 Chevrolet Corvette

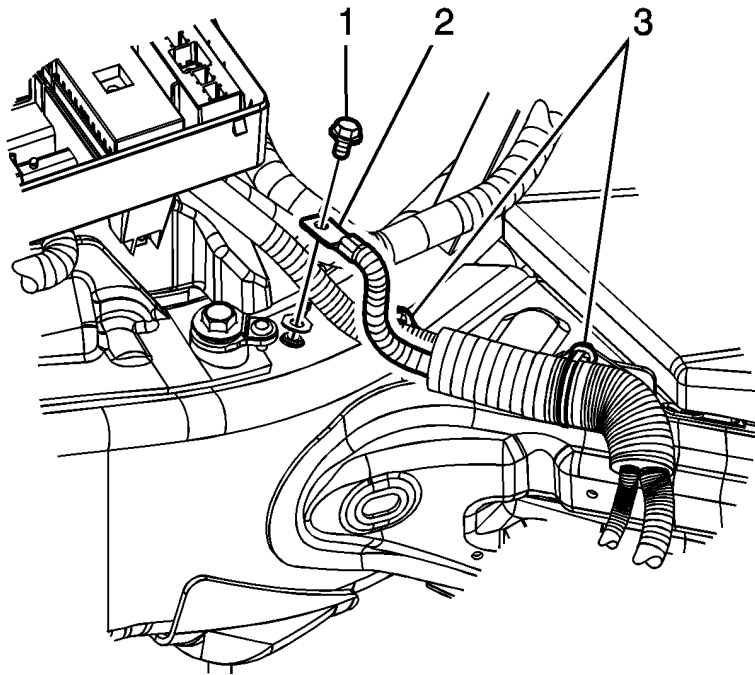
Battery Positive and Negative Cable Replacement (7.0L)

Removal Procedure

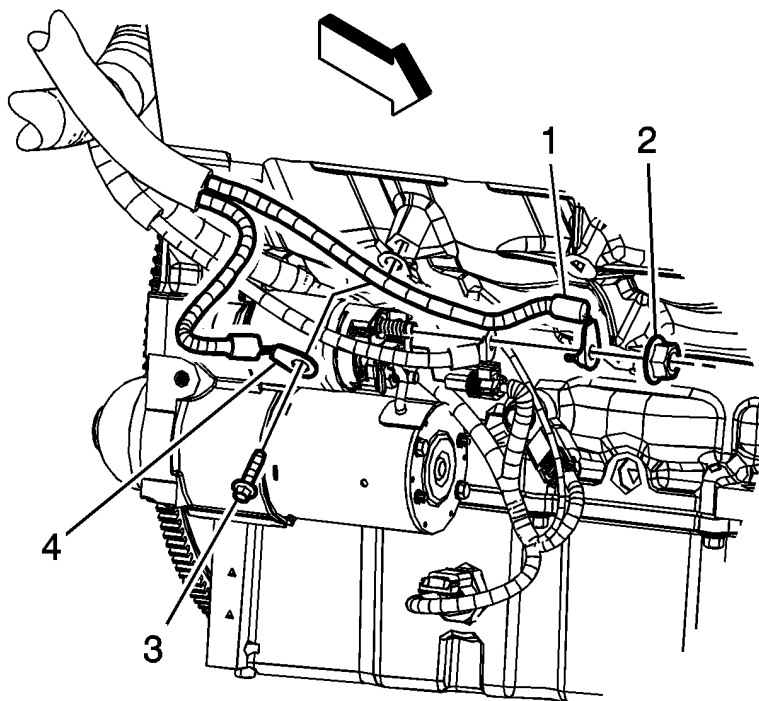
1. Disconnect the negative battery cable. Refer to [Battery Negative Cable Disconnect/Connect Procedure](#).



2. Remove the battery positive cable nut (1) and remove the battery positive/negative cable lead (2).



3. Remove the battery positive/negative cable bolt (1) and release the wiring harness retainers (3).
4. Raise and support the vehicle. Refer to [Lifting and Jacking the Vehicle](#).

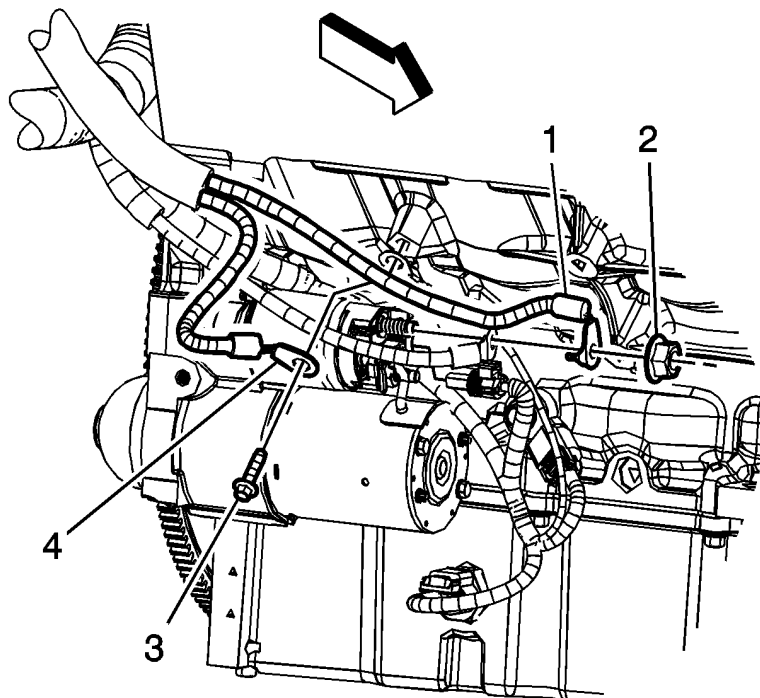


5. Remove the battery positive/negative cable bolt (3) from the engine block.
6. Remove the battery positive/negative cable nut (2) from the starter solenoid.
7. Remove the battery positive/negative cable from the vehicle.

Installation Procedure

1. Position the battery positive/negative cable into the vehicle.

Notice: Refer to [Fastener Notice](#) in Cautions and Notices.



2. Install the battery positive/negative cable nut (2) to the starter solenoid.

Tighten

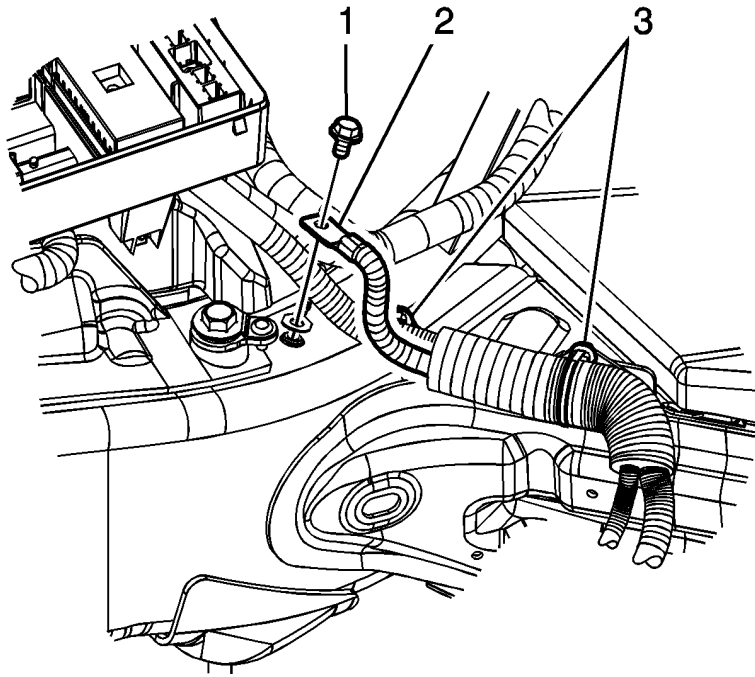
Tighten the battery positive/negative cable nut to 10 N·m (89 lb in).

3. Install the battery positive/negative cable bolt (3) to the engine block.

Tighten

Tighten the battery positive/negative cable to engine block bolt to 40 N·m (30 lb ft).

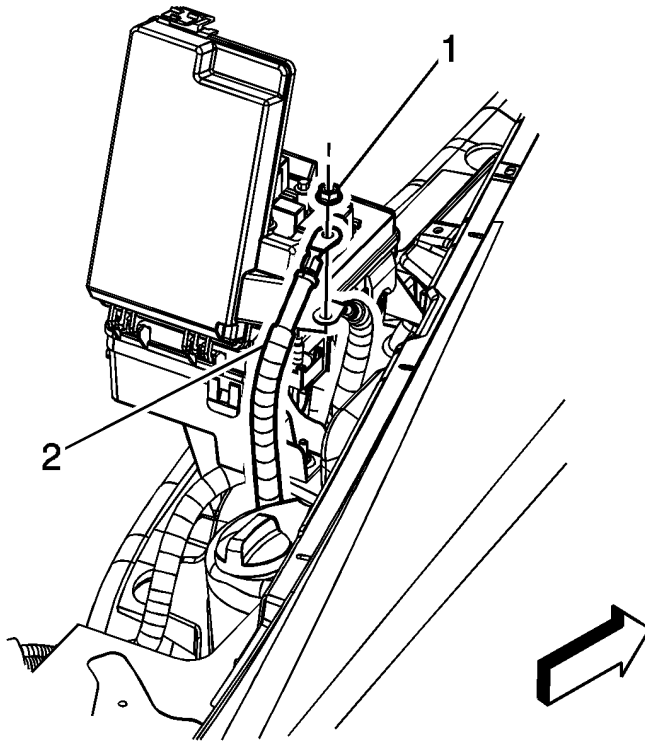
4. Lower the vehicle.



5. Install the battery positive/negative cable bolt (1) and attach the wiring harness retainers (3).

Tighten

Tighten the battery positive/negative cable to frame rail bolt to 25 N·m (18 lb ft).



6. Install the battery positive cable nut (1).

Tighten

Tighten the battery positive cable nut to 10 N·m (89 lb in).

7. Connect the negative battery cable. Refer to [Battery Negative Cable Disconnect/Connect Procedure](#) .

Document ID# 1705816
2006 Chevrolet Corvette